

DRD 2150S

Min.
4.33inch

74.8inch
Max.

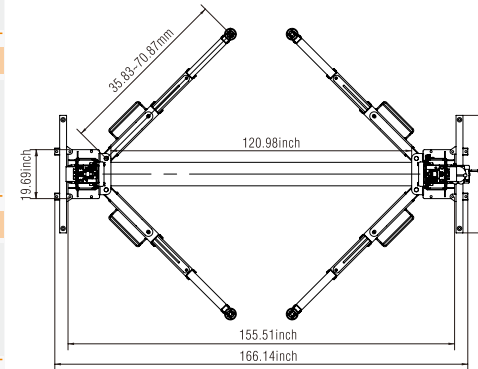
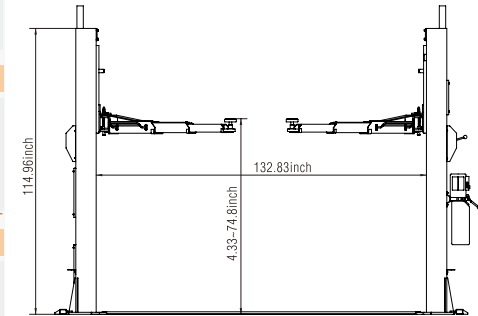
10000lbs
Capacity



Technical Features

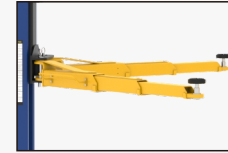
11000lbs Two-post Lift with Base

Single side manual lock release



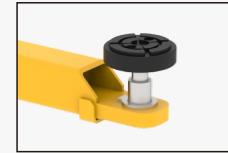
Control

Power pack with UP button and manual lowering valve handle



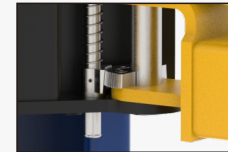
Lifting Arms

Asymmetric 3-stage lifting arms



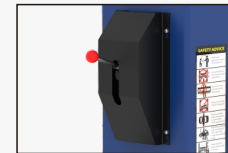
Lifting Pad

Drop-in type dual stage threaded lifting arm pad



Arm Locks

Automatic arm locking during lifting and automatic unlock when the arm reaches the floor



Lock Release

Safety locks with automatic engagement and single side manual lock release



Arm Holder

C-type enclosed arm holder gives more strength and safety



Foot Protection

Lifting arms equipped with foot protection bars



Door Protection

Anti-collision door protection rubber on carriages

Technical Drawing

Technical Data

Lifting Capacity	11000lbs
Min. Height	4.33inch
Max. Lifting Height	74.8inch
Overall Height	114.96inch
Overall Width	166.14inch
Width between Posts	132.83inch
Lifting Arm Length	35.83-70.87inch
Lifting/Lowering Time	55Sec./45Sec.
Motor Power	3.0kW
Power Supply	220V/60Hz/1Ph